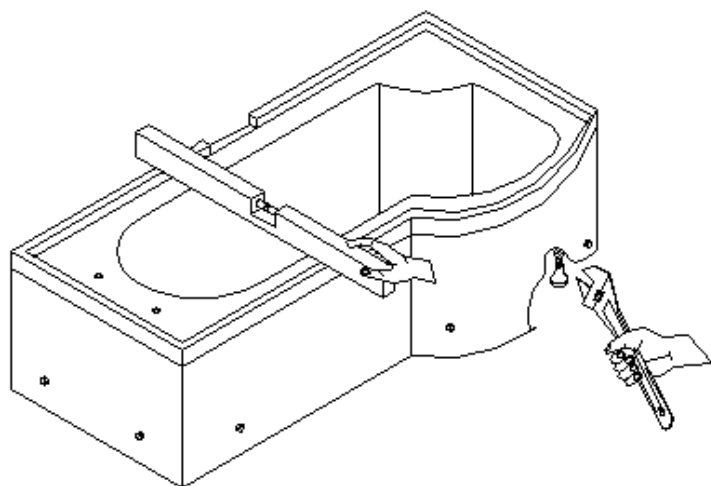


# Shower Room Installation

9045L (R)

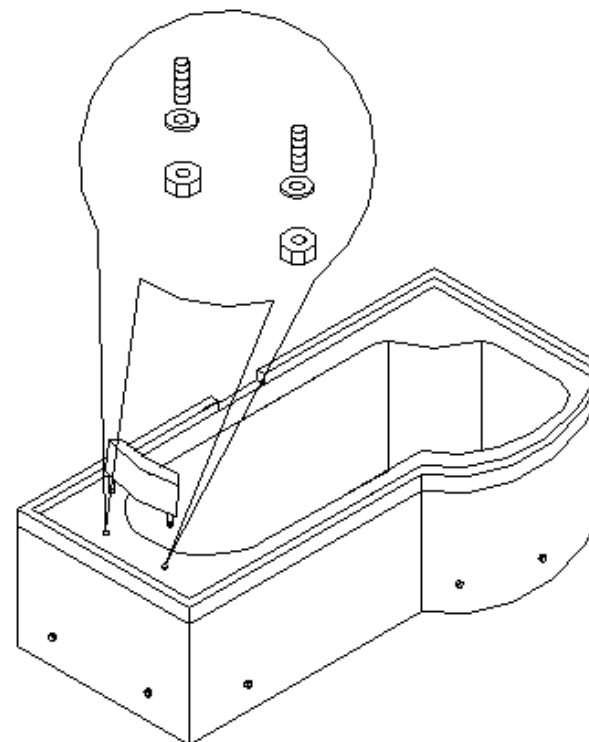
SIZE: (1700\*750\*2080)

1. Put the tub at the right place, adjust the feet and tighten the screws.



1

2. Put the gasket from inside of the skirt and connection the pillow with the screw



2

